

### DOUBLE SLIP

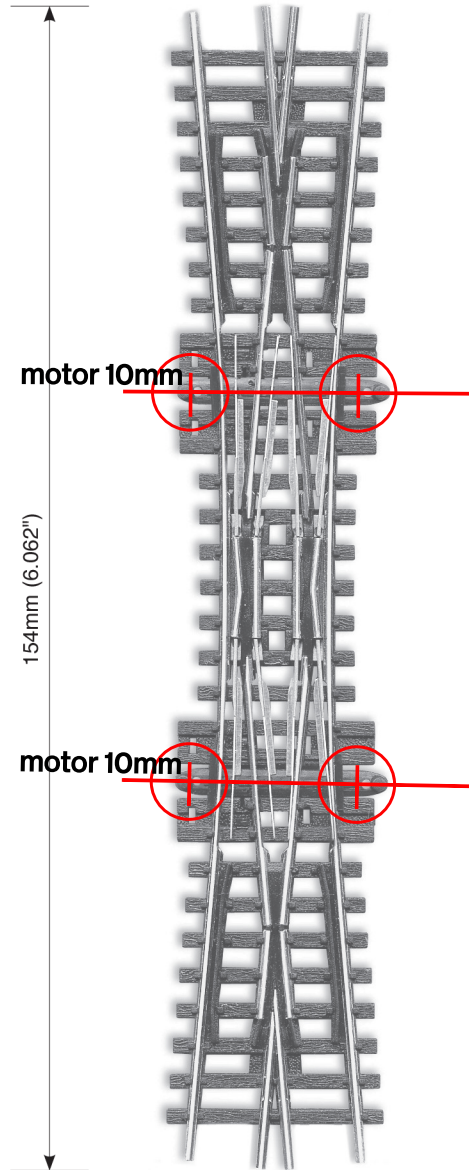
Code 55

**SL-390F** *Insulfrog*

**SL-E390F** *Electrofrog*



frog 5mm



Use this scale bar to check that your printer is printing at 100%

